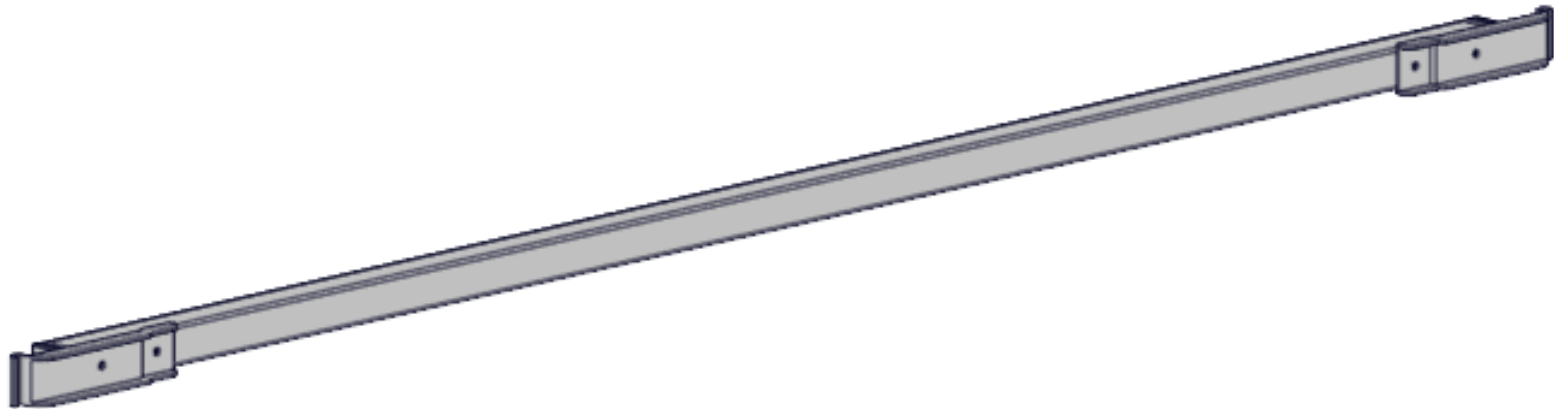
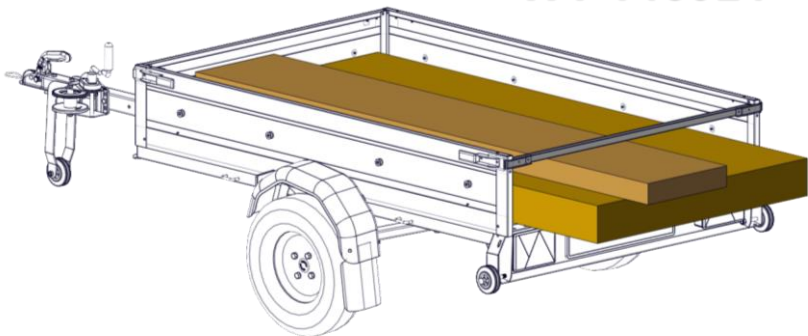


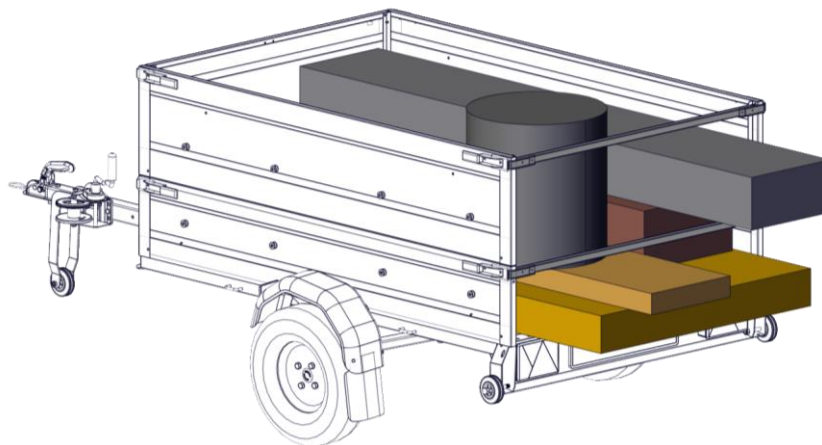
Installation manual : ***W1-143924***



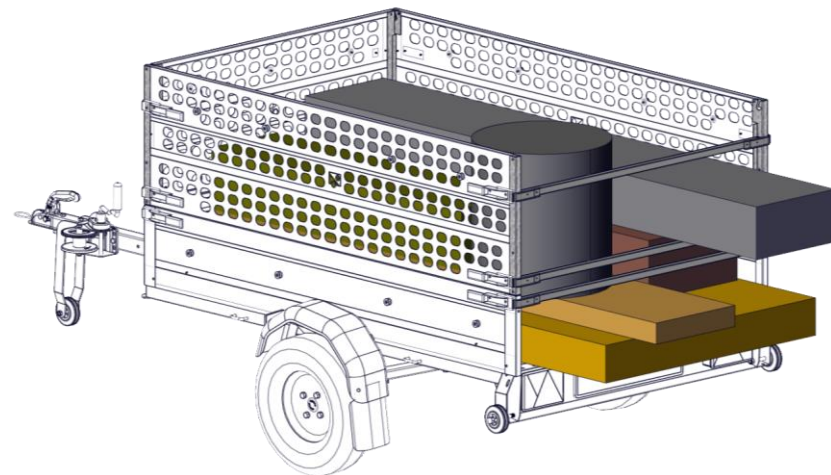
W1-143924



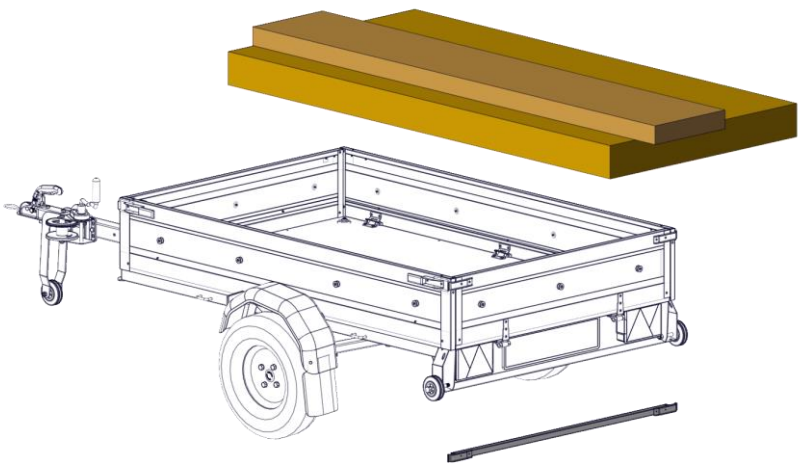
W1-143924 + W1-106405



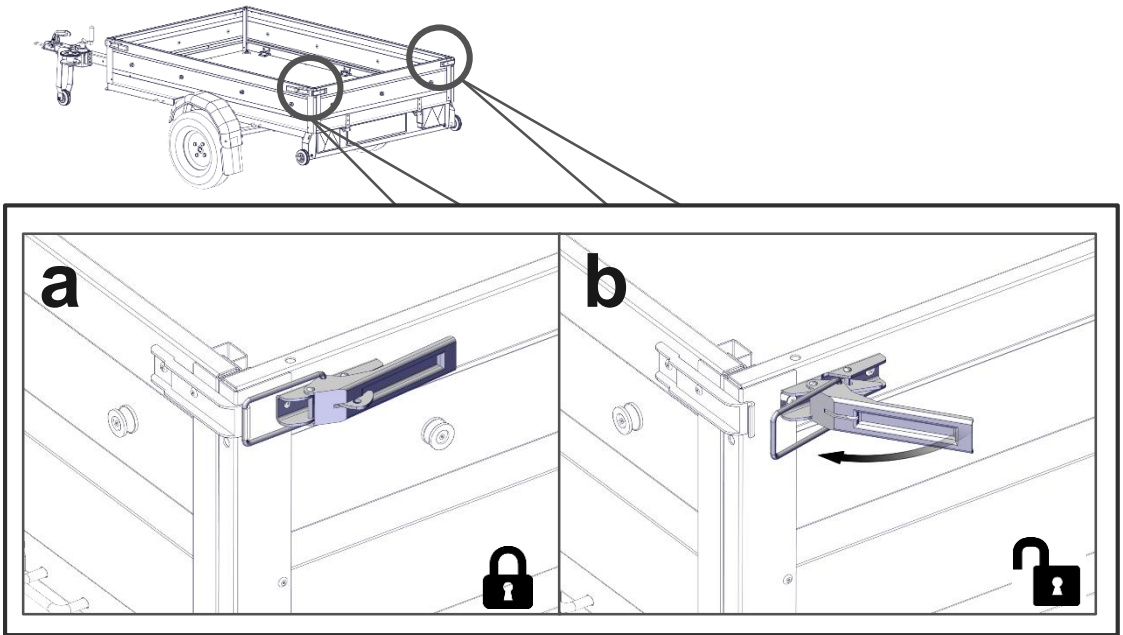
W1-143924 + W1-109508



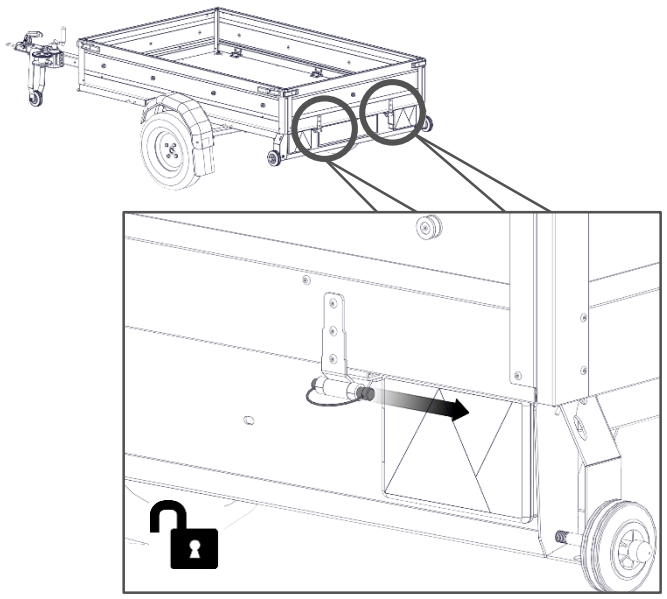
1



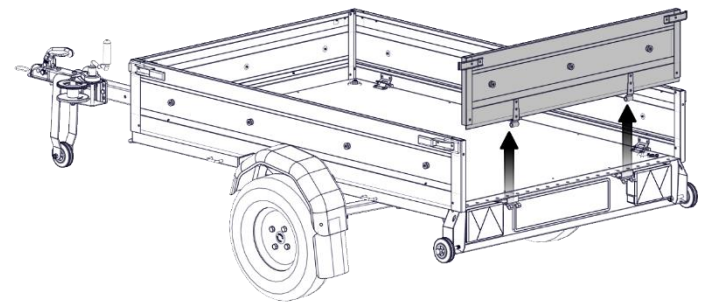
2



3

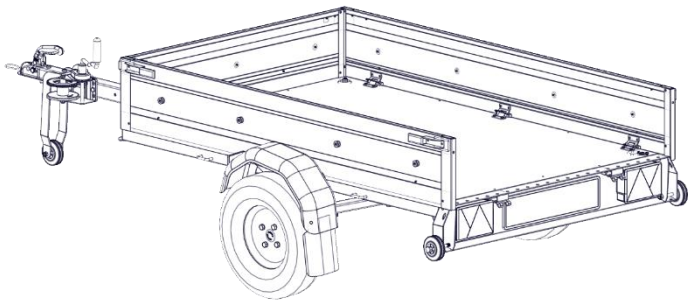


4

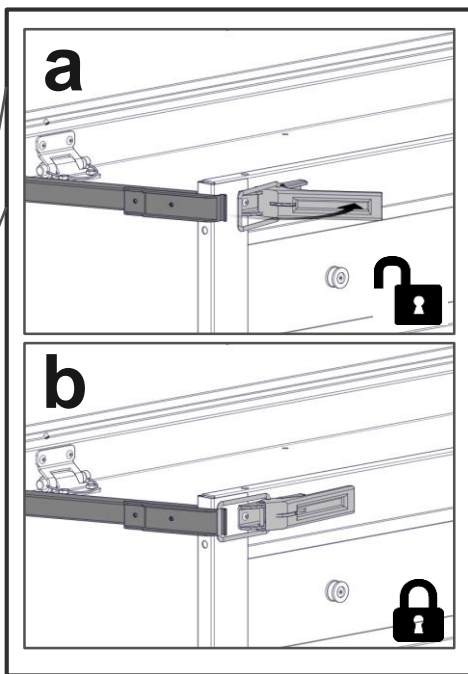
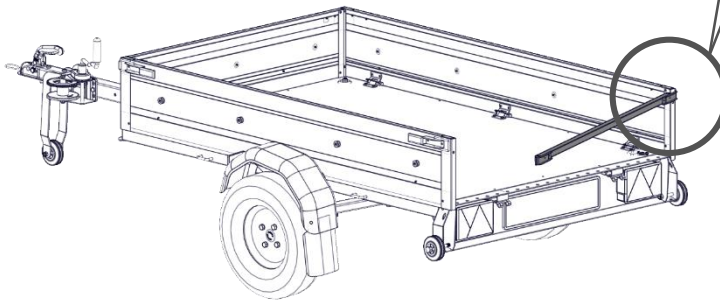


3

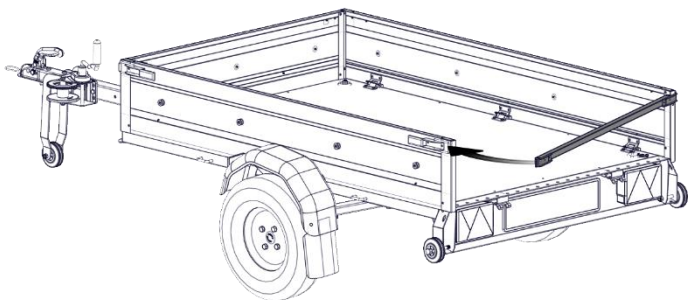
5



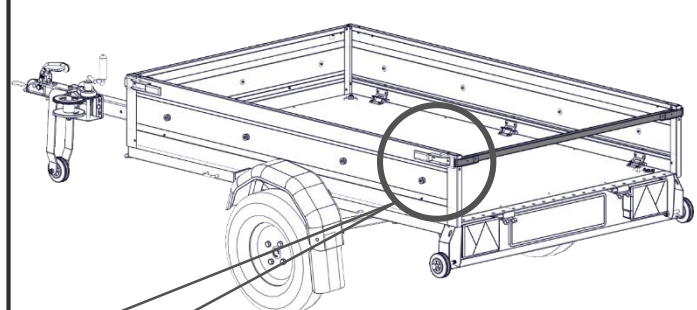
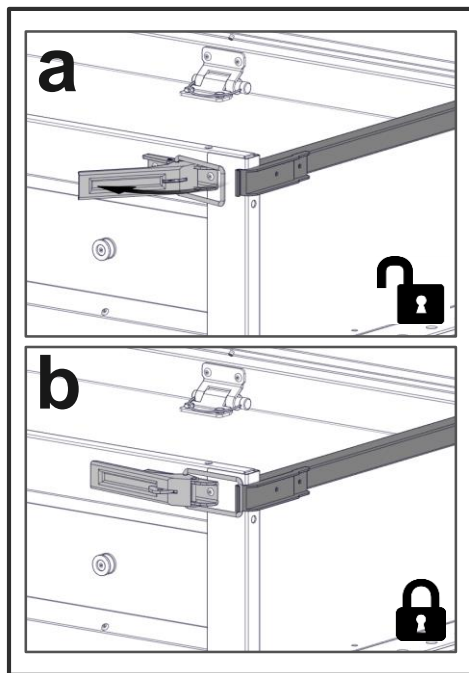
6



7



8



9

